

Effluent Range





FEATURES & BENEFITS

Introducing the NOV Mono[®] dairy effluent pumping solution.

A Mono dairy effluent pump can offer considerable cost savings by eliminating the need for a series of pumps when pumping over a long distance or high head. In some situations it can also mean not having to go to the expense of upgrading the existing power supply, which could potentially save you thousands.

Based on comparisons with centrifugal effluent pumps that deliver a similar performance, choosing an NOV Mono[®] dairy effluent pump provides you with an option that costs you less to operate.

CAPACITY	up to 12.31 l/sec
----------	-------------------

PRESSURE	up to 120 m
----------	-------------

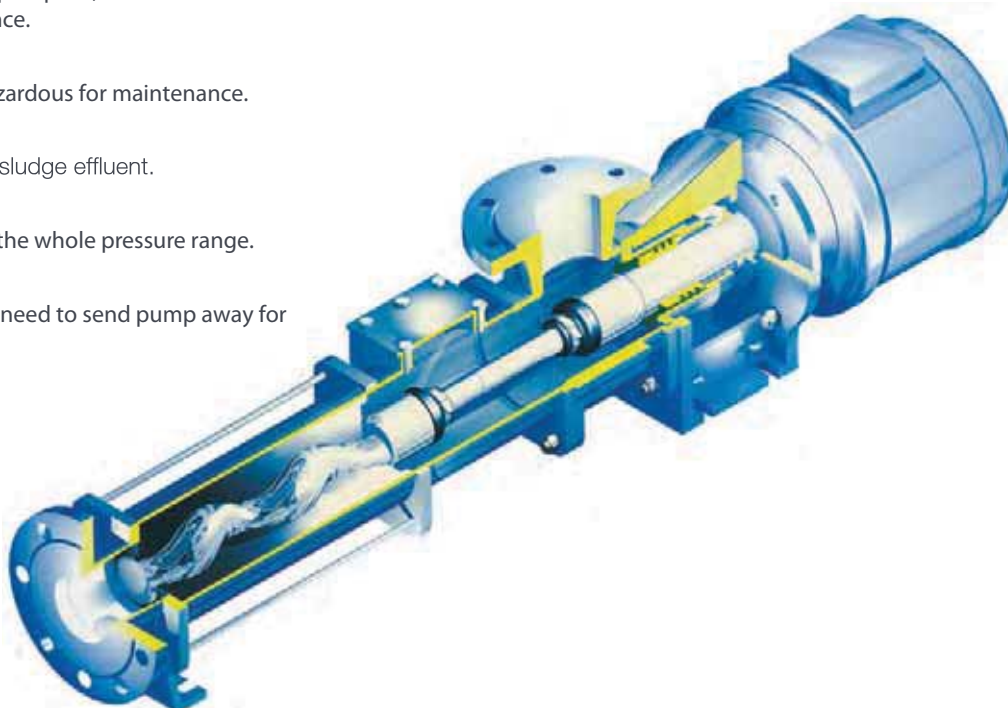
MOTOR SPEC	3 options available
------------	---------------------

MATERIALS OF CONSTRUCTION

Available in cast iron body, hard chrome-plated rotor and nitrile rubber stator.

BENEFITS INCLUDE:

- **High efficiency pump:**
Low absorbed power by as much as 75%, compared to a centrifugal pump.
- **Low power usage:**
Eliminates the need to upgrade power supply to ensure effluent irrigation compliance.
- **Low running speeds:**
Reduced wear for a longer working pump life, which extends the periods between routine maintenance.
- **Surface mounted:**
Making it easier, cleaner and less hazardous for maintenance.
- **Sludge handling:**
Ideal for transfer of wintering shed sludge effluent.
- **Effluent application compliant:**
Ideal application rates through-out the whole pressure range.
- **Ease of maintenance:**
Installing or dismantling on site. No need to send pump away for repair, thus reducing downtime.





PUMP ENERGY USE COMPARISON

MANUFACTURER	MONO PC	COMPETITOR CENTRIFUGAL
Model	VSE12/60	'Typical'
Farm Requirements		
Effluent quantity (m3/day)	60	60
Pump Capability		
Pump Head (m)	50	50
Pump Flow Rate (m3/hr)	13	15
Pump speed (rpm)	350	2,800
Pumping time needed (hrs/day)	4.62	4
Pump Power ratings		
Output Rating (HP)	5.36	15
Output Rating (kW)	4	11.19
Energy Consumption		
Daily Energy Use (kWh)	21	51
Annual Energy Use (kWh) based on milking 278 days P/A	5,854	14,193
Energy Reduction (kWh pa)	8,339	
Energy Reduction (% pa)	59%	

SEALED JOINTS

Fully sealed drive train to maximise life and minimise downtime.

SHAFT SEALING - HORIZONTAL

Silicon carbide mechanical seal.

SHAFT SEALING - VERTICAL

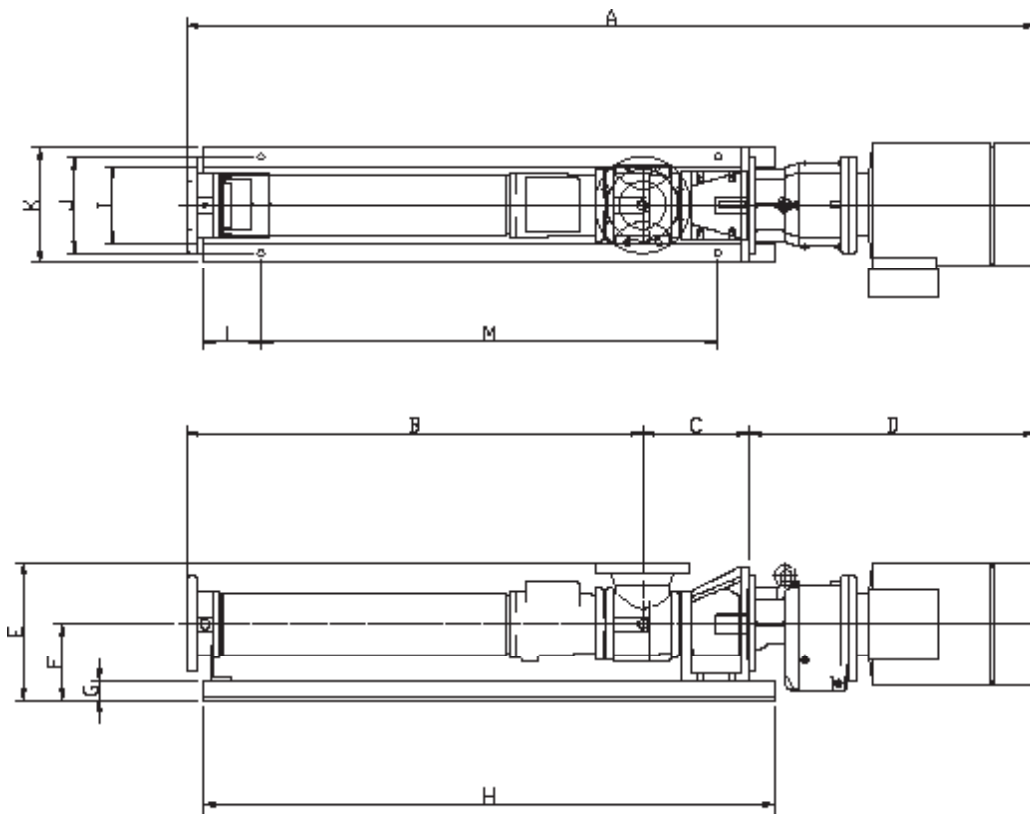
True seal-less design

* Typical electricity cost savings for the above model NOV Mono® pump up to \$1600 per annum depending on your location.



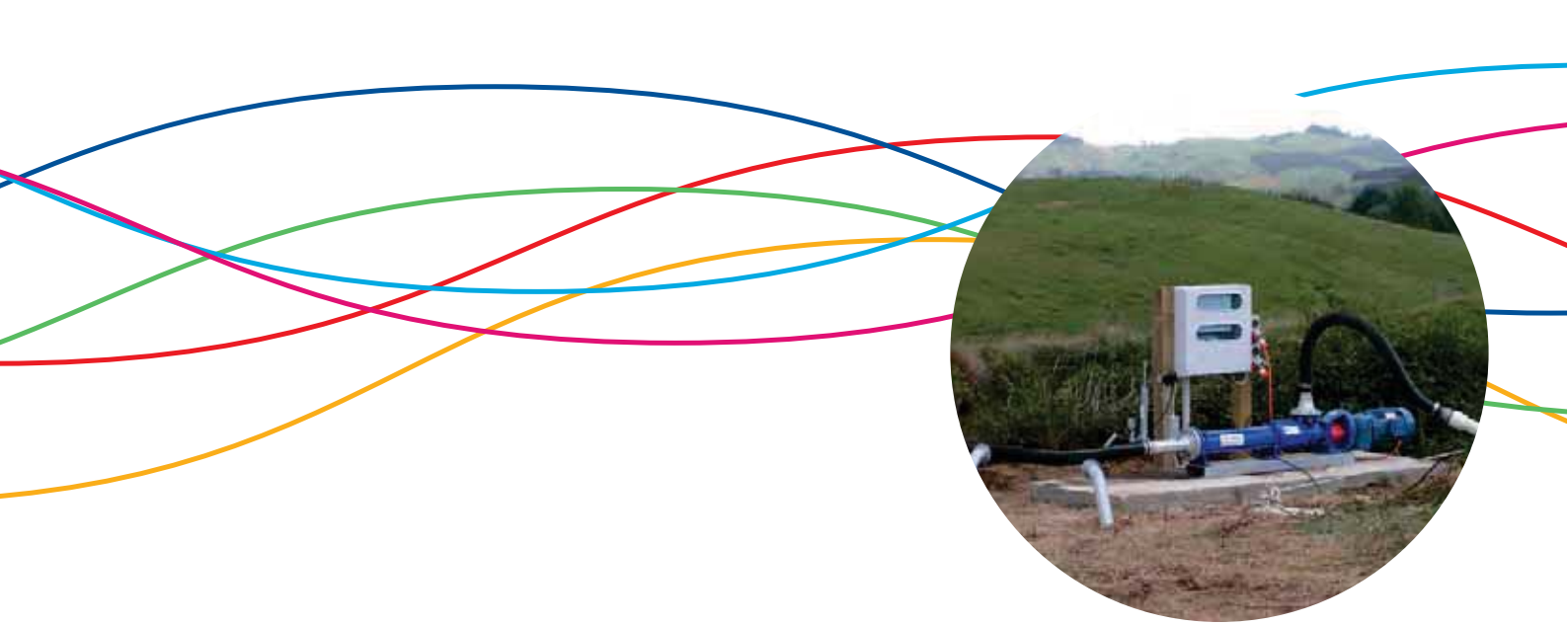


PRO DUCT DIMENSIONS

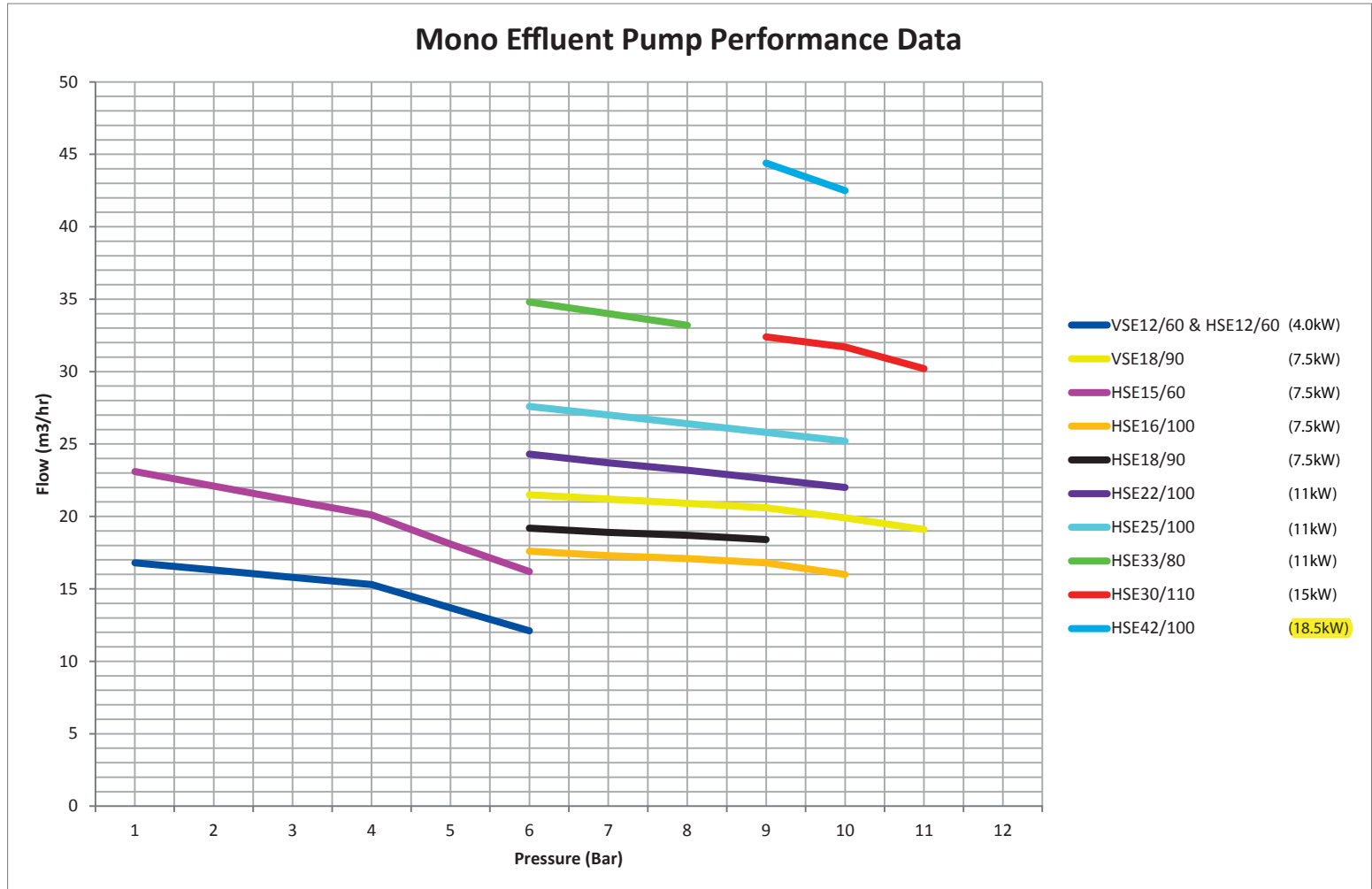


PUMP MODEL	A	B	C	D	E	F	G	H	I	J	K	L	M	N
VSE 12/60	1741	1229	512	229	520	150	720	951	-	-	-	-	-	725
VSE 18/90	2094	1451	644	229	430	150	630	1172	-	-	-	-	-	1025
HSE 12/60	1510	724	236	550	305	175	50	1375	200	250	300	150	1075	-
HSE 15/60	1767	830	281	656	360	200	50	1375	200	250	300	150	1075	-
HSE 16/100	2011	1036	319	656	330	200	50	1375	200	250	300	150	1075	-
HSE 18/90	2011	1036	319	656	330	200	50	1375	200	250	300	150	1075	-
HSE 22/100	2271	1198	281	792	360	200	50	1500	250	300	350	150	1200	-
HSE 25/100	2271	1198	281	792	360	200	50	1500	250	300	350	150	1200	-
HSE 33/80	2535	1374	369	792	370	210	50	1800	250	300	350	150	1500	-
HSE 30/110	2535	1374	369	792	370	210	50	1800	250	300	350	150	1500	-
HSE 42/100	2648	1541	315	792	395	210	50	1800	250	300	350	150	1500	-

All dimensions in mm's, unless otherwise stated and for guidance only.
Dimension A is the preferred dismantling space. For full certified drawings, please contact NOV Mono®



PERFORMANCE DATA



Whilst all reasonable care has been taken to ensure the accuracy of the provided information, pump performance can and will vary depending on actual operating conditions (product consistency, temperature, pressure losses, etc.). The information provided should be used as a guide only and in light of Mono's aim towards on-going product development, specifications and performances are subject to change without prior notice.

Europe

Mono Pumps Ltd, Martin Street, Audenshaw
Manchester, M34 5JA, England
T. +44 161 339 9000
E. info-mono@nov.com

D.M.I EST, 56, rue du Pont
88300 Rebeuville, France
T. +33 3 29 94 26 88
E. dmi-est@dmi-est.fr

Americas

Monoflo Inc., 8708 W. Little York, Suite 100
Houston, Texas 77040, USA
T. +1 281 854 0300
E. monoflo@nov.com

Monoflo S.A., Ing Huergo 2239
(1842) Monte Grande
Pcia. de Buenos Aires, Argentina
T. +54 11 4290 9940/50
E. info.monoflo@nov.com.ar

Monoflo Canada, 6010 – 53rd Ave
Alberta, Lloydminster
T9V2T2, Canada
T. +1 780 875 5584
E: info.monoflo@nov.com

Asia

Mono Pumps Ltd, Building 5,
Madong Industrial Park, 1250 Sicheng Rd
Malu Town, Jiading District, Shanghai 201801
T. +86 21 3990 4588
E. monoshanghai@nov.com

Australasia

Mono Pumps (Australia) Pty Ltd
75 Frankston Gardens Drive
Carrum Downs, Victoria 3201, Australia
T. 1800 333 138
E. ozsales@nov.com

Mono Pumps (New Zealand) Ltd
35-41 Fremlin Place, Avondale
Auckland, 1026, New Zealand
T. +64 9 829 0333
E. info@mono-pumps.co.nz

Melbourne	T.	03 9773 7777	F.	03 9773 7400
Sydney	T.	02 8536 0900	F.	02 9542 3649
Brisbane	T.	07 3350 4582	F.	07 3350 3750
Adelaide	T.	08 8447 8333	F.	08 8447 8373
Perth	T.	08 9303 0444	F.	08 9303 0400
Darwin	T.	08 8931 3300	F.	08 8931 3200
Kalgoorlie	T.	08 9022 4880	F.	08 9022 3660



© Mono Pumps Limited June 2011 Literature reference: ART78/2
Published information other than that marked CERTIFIED does not extend any warranty or representation, expressed or implied, regarding these products. Any such warranties or other terms and conditions of sales and products shall be in accordance with Mono Pumps Limited standard terms and conditions of sale, available on request.
Mono® is a registered trademark of Mono Pumps Ltd.
Registered in England No 300721



One Company, Unlimited Solutions